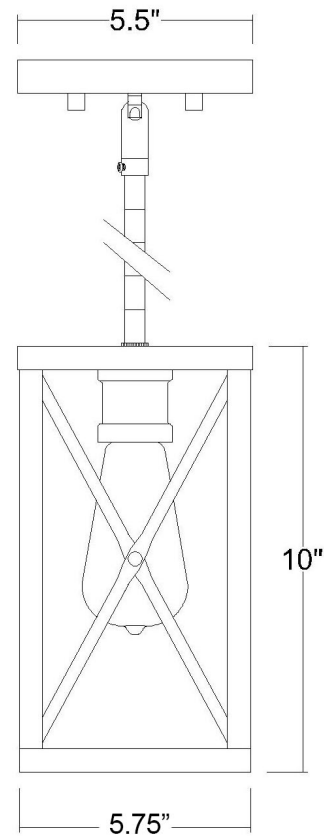


IN21122ORB

BROOKLYN 1-LIGHT MINI PENDANT



| | |
|--------------------------|-------------------------------|
| Description: | Brooklyn 1-Light Mini Pendant |
| Finish: | Oil Rubbed Bronze |
| Dimensions: | 5-3/4" Sq. x 10" H |
| Bulbs: | 1-100W. Med. |
| Installed Weight: | 2 lbs. |
| Certification: | cUL / dry location |

| | |
|-----------------------------|-------------------|
| Material: | Steel |
| Shades: | NA |
| Glass: | NA |
| Canopy Dimensions: | 5-1/2" Sq. |
| Chain/Wire: | 12' Wire |
| Stems: | 3-12", 1-6", 1-3" |
| Additional Finishes: | NA |